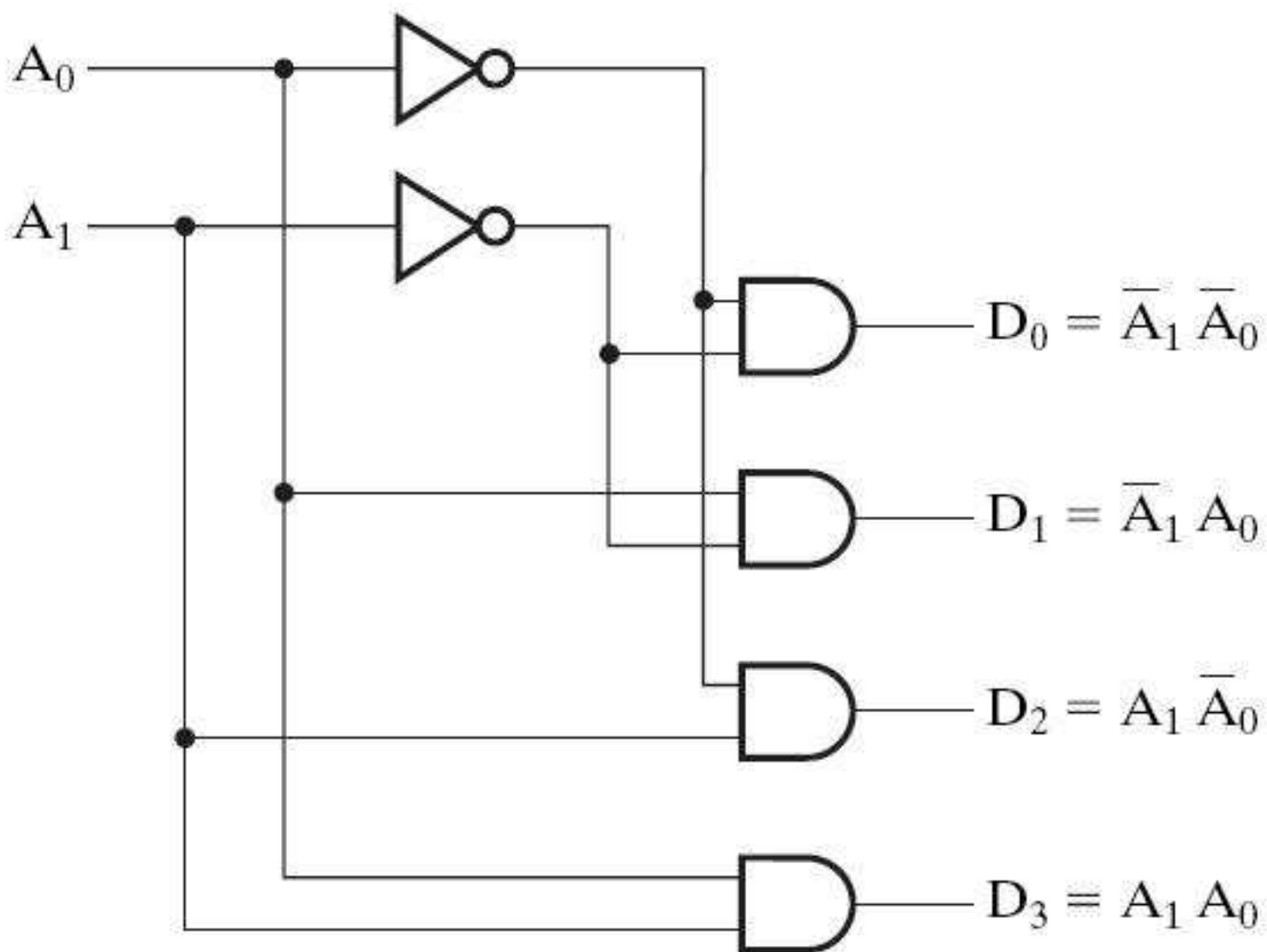


$A_1$	$A_0$	$D_0$	$D_1$	$D_2$	$D_3$
0	0	1	0	0	0
0	1	0	1	0	0
1	0	0	0	1	0
1	1	0	0	0	1

(a)



(b)